

## Inclination Sensor Special Application

- Measuring range 0 ... 360°
- CANopen interface
- High shock resistance
- e1-Type approval
- Raised EMC resistance 100 V/m



See pages  
1009-1076  
for cordsets



See pages  
1105-1128 for  
accessories

### Technical Specifications

		INX360D-F99-B16-V15	INY360D-F99-B16-V15
Type	Inclination sensor, 1-axis	●	
	Inclination sensor, 2-axis		●
Measurement range	0 ... 360 °	●	●
Absolute accuracy	≤ ± 0.5 °	●	●
Resolution	≤ 0.1 °	●	●
Operating voltage	10 ... 30 V DC	●	●
No-load supply current	≤ 50 mA	●	●
Operating display	LED, green	●	●
Interface type	CANopen	●	●
Data output code	binary code	●	●
Ambient temperature	-40 ... 85 °C (-40 ... 185 °F)	●	●
Connection type	M12 x 1 connector, 5-pin	●	●
Housing material	PA	●	●
Protection degree	IP68 / IP69K	●	●
Shock and impact resistance	100 g according to DIN EN 60068-2-27	●	●
Standards	EN 60947-5-2:2007 IEC 60947-5-2:2007	●	●
CSA approval	cCSAus Listed, General Purpose, Class 2 Power Source	●	●
e1 Type approval	2006/28/EG	●	●



Subject to modifications without notice

Pepperl+Fuchs Group  
www.pepperl-fuchs.com

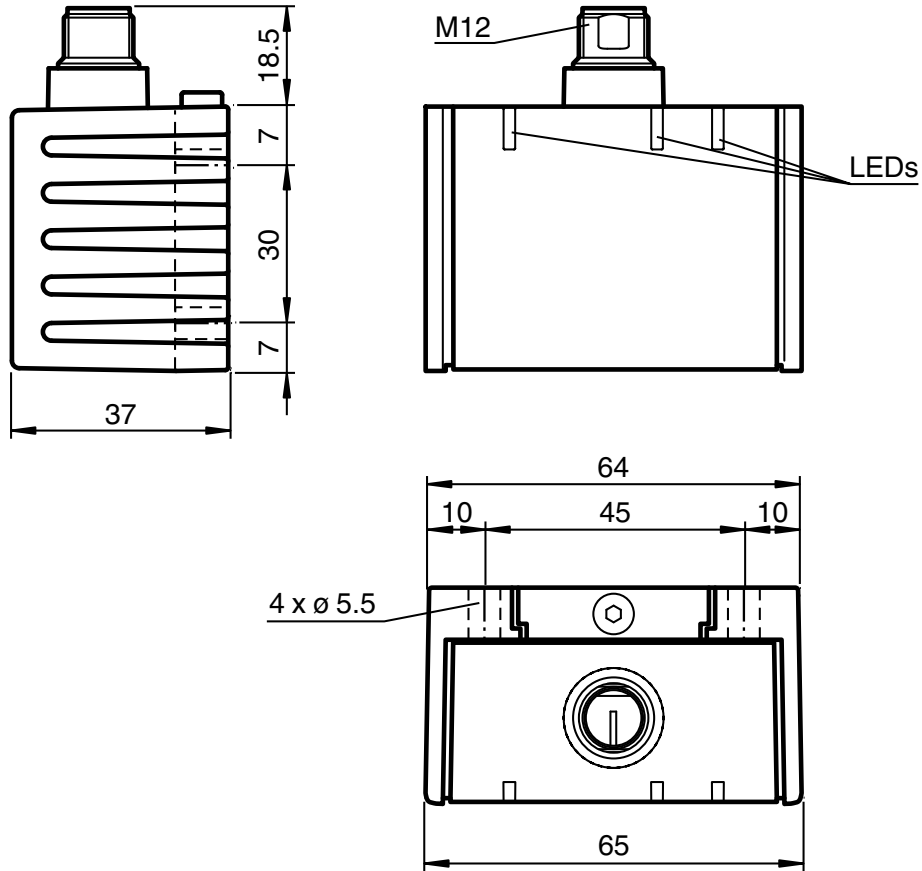
USA: +1 330 486 0001  
fa-info@us.pepperl-fuchs.com

Germany: +49 621 776-4411  
fa-info@de.pepperl-fuchs.com

Copyright Pepperl+Fuchs  
Singapore: +65 6779 9091  
fa-info@sg.pepperl-fuchs.com

**FP** PEPPERL+FUCHS  
SENSING YOUR NEEDS

Dimensions (mm)



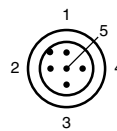
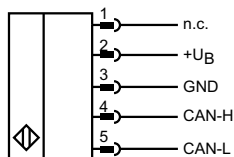
Wiring Diagrams



Quick Disconnect

Note: Wiring diagrams show quick disconnect pin numbers.

V15 Type



Wire colors in accordance with EN 60947-5-2

1	BN
2	WH
3	BU
4	BK
5	GY